



Options for Seamless Integration of H.323 into Existing Video Networks

Tim Skaja

CTO

TODD Video Network Management, Inc.



Discussion Topics

Understanding the “new audience “

The new management requirements

The end users adoption of video system

Bit and bytes – technology integration

Summary



Keys to seamless H.323 integration

Areas of focus

- Management
 - Administration of video network and applications
 - Configuration of video components
 - Maintenance of the network
- Use of video network
 - Users
 - Application
- The technology requirements



The “new audience”

IT Managers

- H.323 deployment requires acceptance from IT professionals as well as A/V groups
- How will this solution integrate into my network?
- How does this solution affect other applications I have running?
- How do I manage video?



Video management requirements

Ease of Deployment

- **Installation**
 - Need to have the ability to mass deploy H.323 systems (Desktop, Room, etc)
- **Configuration**
 - Configurations need to be easy, reproducible and remotely managed
- **Availability**
 - System needs to be available for use quick after purchase



Video management requirements

Management

- **Fault detection and recovery**
 - Provide details on “events” on the video network
 - Errors reported from hardware and software
 - SNMP Traps
 - Error Levels (Information, Minor, Major, Critical)
 - Real time system analysis
 - Which active conferences are affected
 - Which pending conferences are affected



Video management requirements

Management

- Quick diagnostics tools
 - Common tools across hardware vendors
 - “Smart” tools to help prevent future errors
 - What are the current faults and what
 - Manual over-ride of conference configurations
 - Detailed reports



Video management requirements

Management

- Streamlined maintenance and automation
 - Automatically “bring up” video conferences
 - Call details about an active conference
 - Dynamic change parameters of a conference
 - Error Recovery
 - Distributed workload



Video management requirements

Management

- Redundancy in networks and applications
 - Hardware redundancy
 - Software redundancy
 - Alternative paths



Video management requirements

Management

- Network routing
 - Hardware layout and configurations
 - Changing configurations on the fly
 - Bandwidth restrictions
 - Network element routing weights



Can not only satisfy the IT managers...

What the “end user” thinks

- The system is too hard to use. Why can't video be easier?
- Every room is different – no consistency.
- It is not reliable – sometimes it works and sometimes it doesn't.
- Why do I need to learn something new?



The final step...

Home Users

- **Broadband availability**
 - Continued debate if broadband will work
- **Internet usage**
 - Part of everyday life
- **Work from home capabilities (VPN)**
 - The ability to stay home and communicate with co-workers and clients



End user requirements

Ease of use

- The user “experience” is crucial for seamless integration
- Needs to be simple “anyone can do it”
- Technology should be transparent to the end user
- Plug and Play

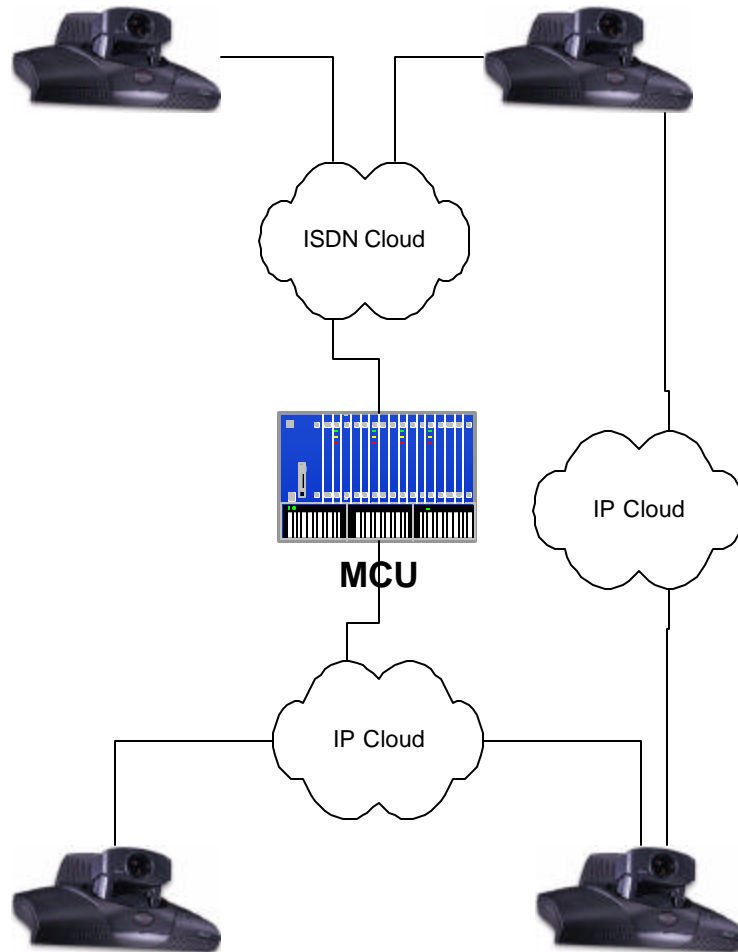


End user requirements

Integration into applications

- Make it a part of everyday life
- Keep it simple
- Incorporate video into common applications
 - Microsoft Outlook
 - Lotus Notes
 - Other application

Bits and bytes - H.323 to H.320 gateways



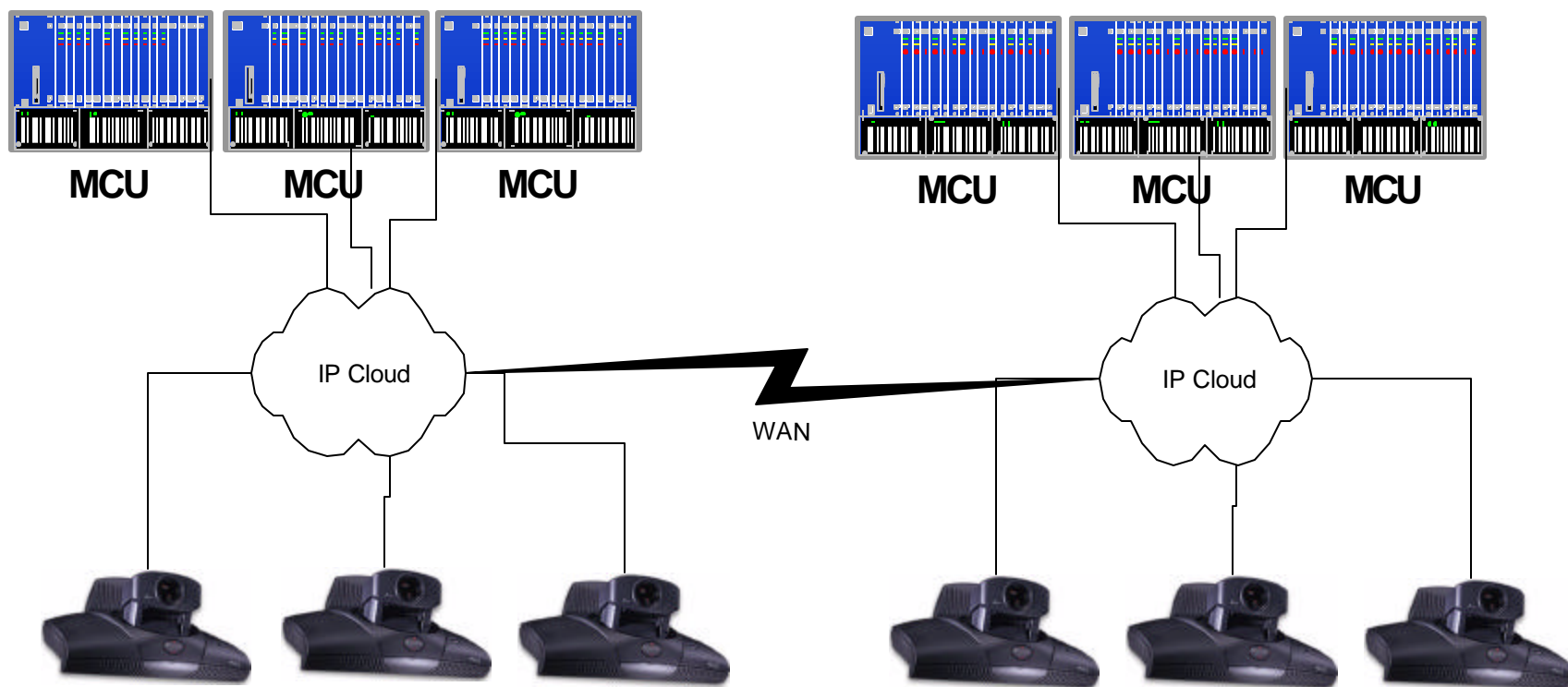
Smart Routing

Multipoint video calls include a MCU as a gateway

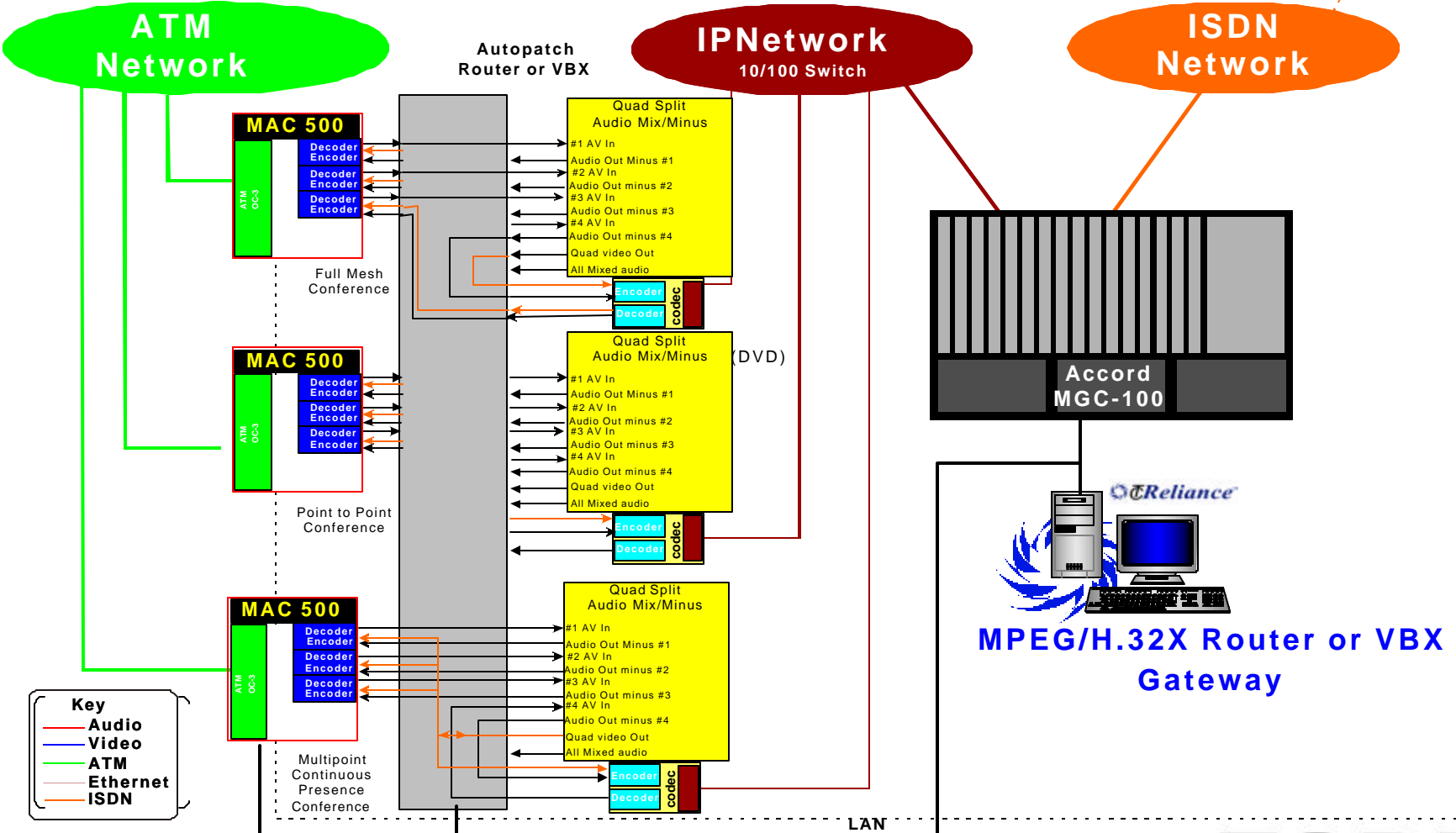
In Point to points the codec may dial direct based on policy's of the network

Least cost routing and more IP bandwidth then ISDN

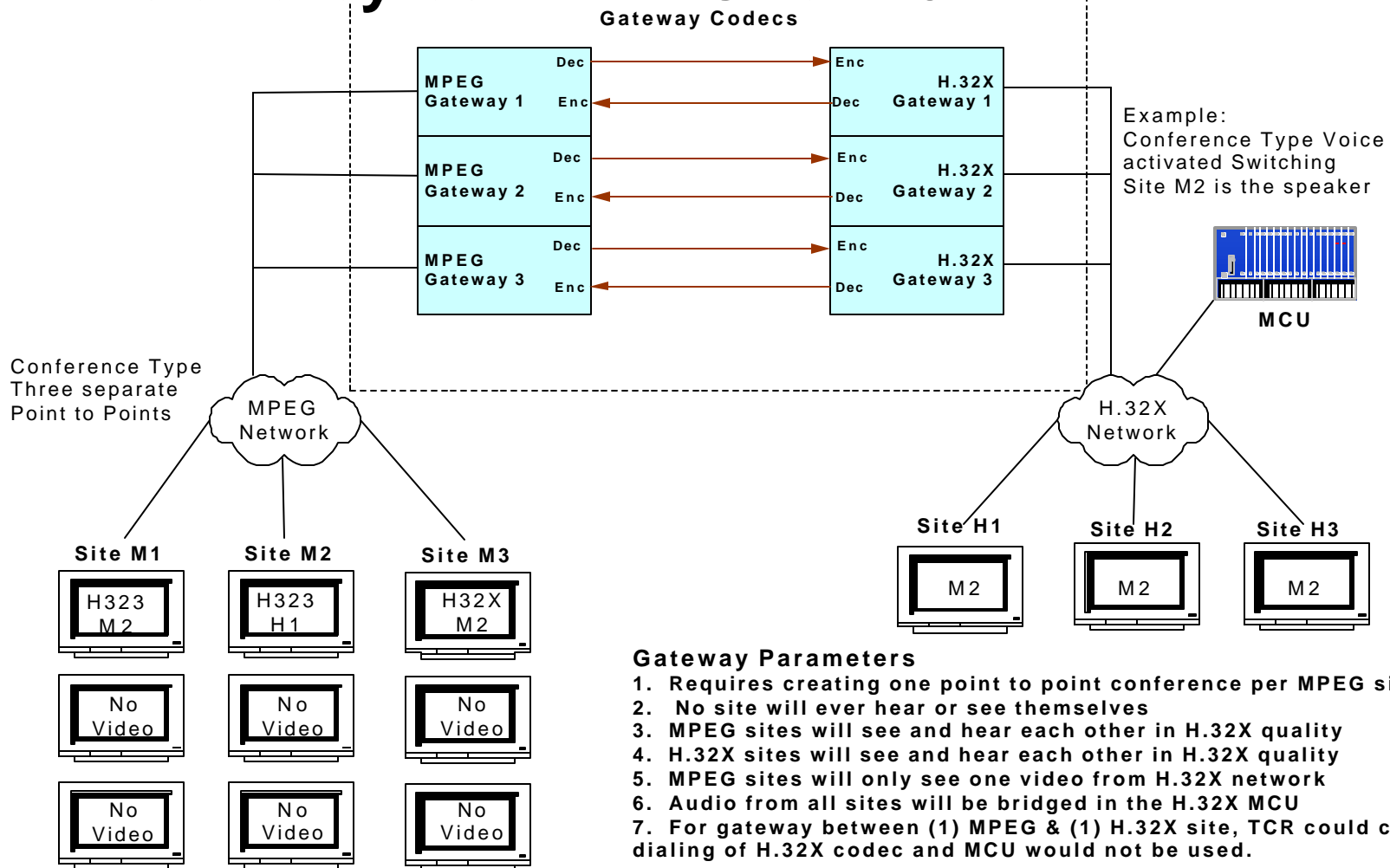
Virtual MCU



Bits and bytes – MPEG to H.32x



Bits and bytes – MPEG to H.32x





Summary

- **Identify the users of a video network**
- **Identify how the network will be used and the application requirements**
- **Integrate the applications into the video network for IT managers as well as end users**
- **Choose the technology that meets your needs**

Quick Plug



Please stop by our booth 521

www.toddvnm.com

TeleCon

TODD
VIDEO NETWORK MANAGEMENT
"Empowering Networks & New Possibilities"